



Protection for large size ceiling-mounted telescopic



Ideal for retail distribution

IMPACT® is an expanding pantograph-type protective barrier made from high-resistance profiles and top quality materials. The simple design and the construction characteristics ensure a valid but see-through anti-intrusion barrier.

IMPACT® is ideal for closing off :

- checkout lines
- shopping malls
- large store windows.

It can be made from galvanized steel or, on request, painted in any colour.

Ideal for restructuring

Simple installation and particularly limited overall dimensions also make this product suitable as a replacement for existing barriers in areas that are already operative, without any particular masonry work.

The safety of ISEA ceiling-mounted telescopic barrier is certified

Safety requirements and performance characteristics in compliance with standard EN 12341-1

ISEA ceiling-mounted telescopic barrier are safe in every opening and closing stage, both motor-driven and manual.

The solutions proposed have been tested by a special external committee before being put onto the market.

Therefore, it is a certified product.





CHIUDE CON SICUREZZA

ISEA s.r.l.

40050 Funo di Argelato Bologna (Italia)

via Galletti, 9 Tel. (+39) 051/862004 r.a. Fax (+39) 051/861404

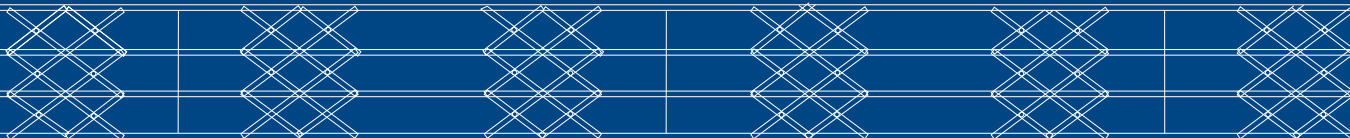
email: info@iseaitaly.com www.iseaitaly.com



The IMPACK® ceiling-mounted modular telescopic barrier is a new closing system specifically designed by ISEA for the protection of large shopping areas (closing off of checkout lines, shopping malls, etc.).

Its main characteristic is its practically unlimited installation length. Particularly long open areas can be safely protected with a single shutter.

- Length unlimited



- A single engine maintenance free
 - High degree of protection
 - Simplified assembly
 - Reduced overall dimensions

Conforms with UNI norm EN 13241-1



Vendor's stamp

The data contained in this leaflet are not binding.
ISEA can modify them at any time, with the exception of the main features.

IMPACT[®]

Ceiling-mounted telescopic barrier

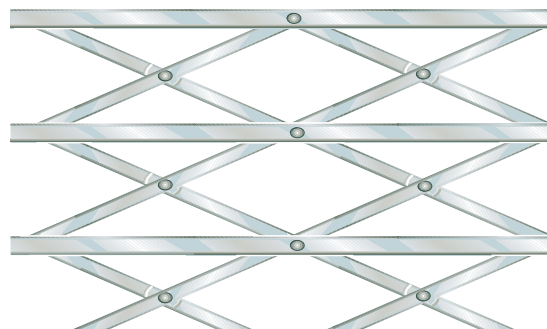




IMPACK®

The **IMPACK®** modular barrier is a new closing system for big dimensions designed to fully comply with current regulations. Specifically designed for large shopping areas (checkout line closures, shopping malls, etc.) the main characteristics of this system are:

- **Modular construction and easy assembly** without the need for lifting means
- **No width restrictions**
- **Overall dimensions of the application reduced to a minimum** (60 x 60 mm "U" guides and 20% of the upper part of the aperture with the barrier fully raised)
- **Standard finish in hot galvanized steel** (can be painted in any colour required)



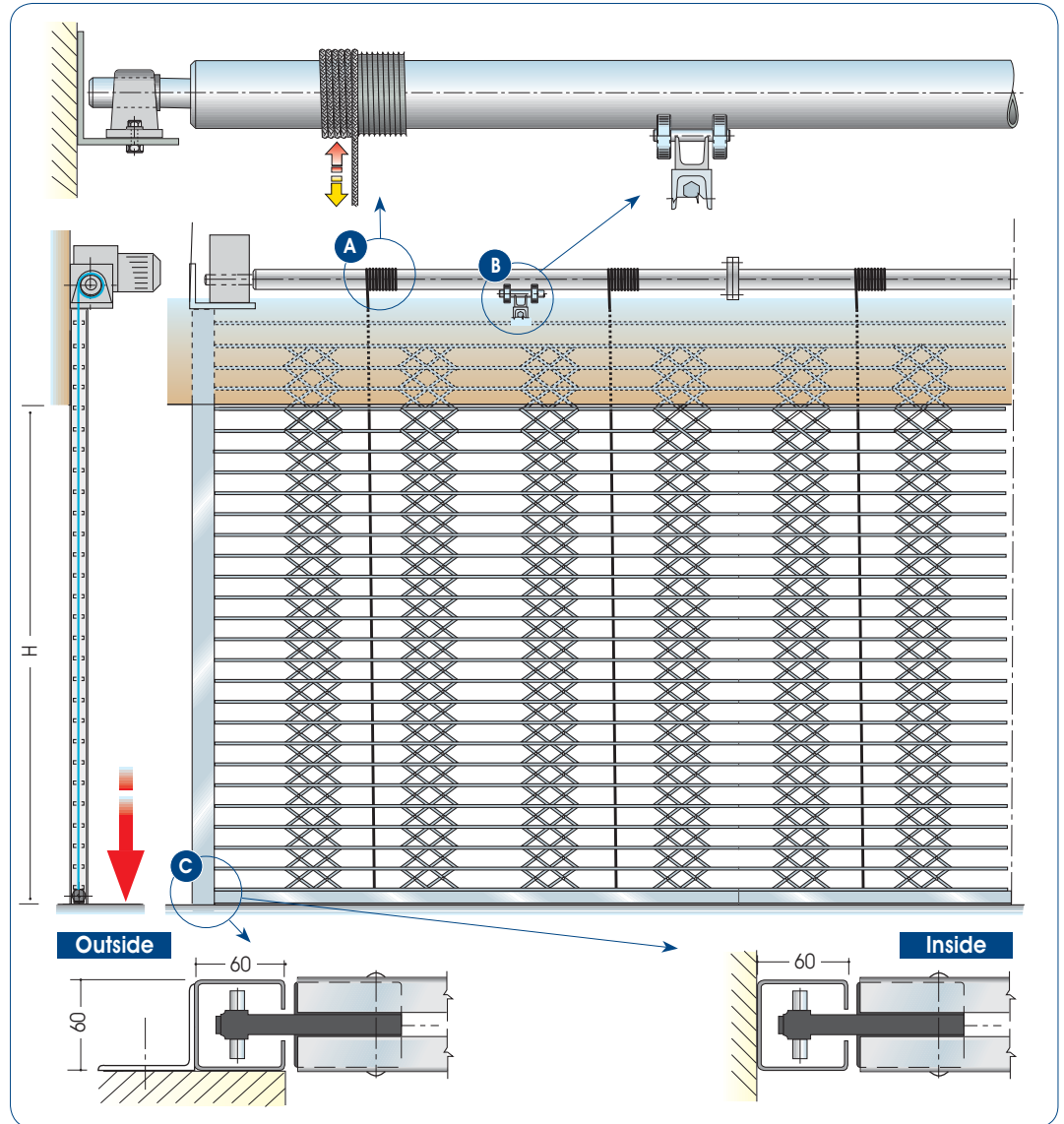


A UNI EN 13241-1 STANDARD PERFORMANCE

The cables are wound around the shaft by means of a sophisticated self-guided system that prevents cable overlapping.

B The dimension of the axle and the supports (consisting of interchangeable nylon-coated radial bearings) ensure high flexing resistance fully conforming to the standards

C The drawing clearly show the anti-intrusion system of the closure which consists of a guide and tear-off proof anchoring bracket in nylon with reinforced steel core.



Conforms with UNI norm EN 13241-1



Single engine

Movement is guaranteed by a 380V three-phase/50 Hz gear motor complete with an anti-drop device. Emergency control in the event of a power failure is always possible from the inside or the outside.

Controls

The controls are all 24V. Invariably key-operated closing and opening with operator in attendance and having a full view of the door. Set up for optional photocell or infrared beam fitting.

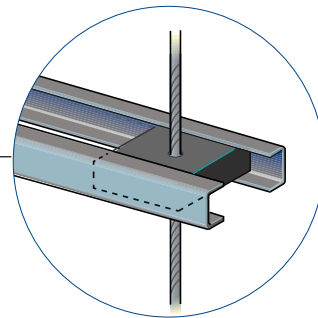
Construction feature

Shutter made from galvanized steel and consisting of double "U" horizontal bars connected by pantographs.

Nylon joint for module/panel jointing.

The shutter is operated by means of high-security galvanized steel lifting cables. UNI EN 13241-1 Standard performance

Special guides in polyxene 1000 positioned in strategic points prevent the cable from rubbing against other mechanical parts



Standard finish:

- Hot galvanized steel

On request:

- RAL colours